

Mixing Valves

LK 551 HydroMix, LK 551 F HydroMix, LK 551 HydroKit Solar, LK 551 HydroKit HWC, LK 552 HydroMix



Valves for Water Heating

Mixing Valve

LK 551 HydroMix

Anti-scald function

Adjustable temperature



TECHNICAL DATA

Max. working pressure	1.0 MPa (10 bar)
Working temperature	Min. 5 °C/Max. 65 °C Min. 5 °C/Max. 95 °C
Operating temperature	Min. 10 °C/Max. 30 °C (Max. 65 °C) Min. 25 °C/Max. 45 °C Min. 35 °C/Max. 55 °C Min. 35 °C/Max. 65 °C
Thread standard	Rp - female thread, G - male thread
Media	Water - Glycol mixture max. 50% Ethanol mixture max. 30%
Material, valve body	Brass EN 12165 CW617N, DZR Brass EN 12165 CW625N
Temperature stability	±3 °C

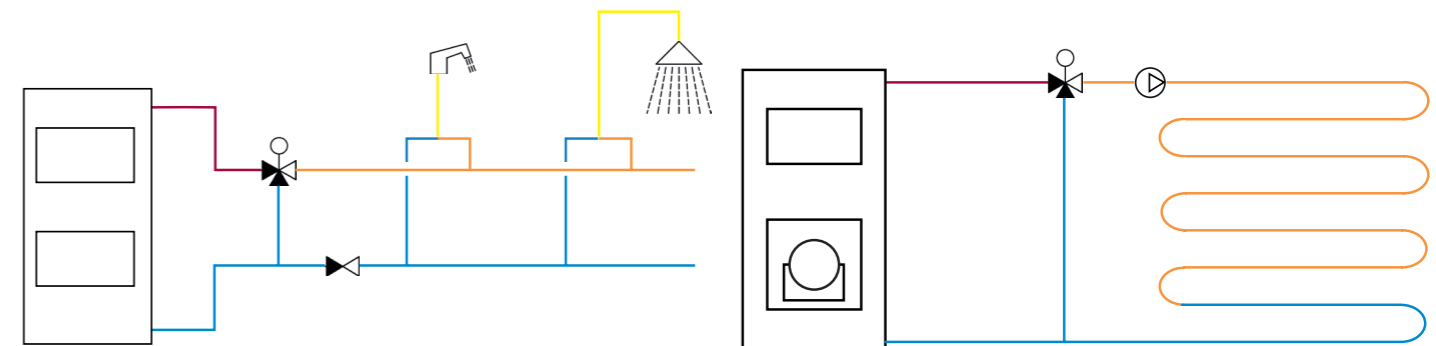
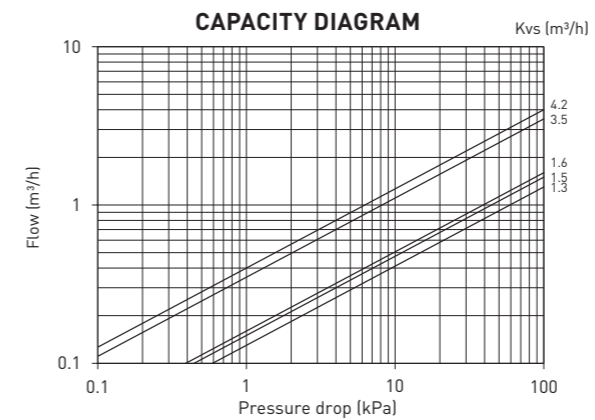
LK 551 HydroMix is an asymmetrical mixing valve for water heating and heating systems. The mixing valve has a thermostatic element that regulates the supply of cold as well as hot water in order to achieve the desired temperature. The valve has an anti-scald function that shuts off the incoming hot water flow in case of failure of cold water supply.

Arrows on the valve body indicate the direction of the flow.
C = incoming cold water
H = incoming hot water
M = outgoing mixed water

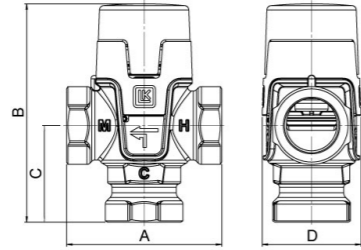
When fitted on top of boiler/storage tanks with built-in water heaters the valve should be installed with some space between boiler/storage tank and valve so as not to let the function of the valve be affected by heat radiation.

The valve knob is used to set the desired warm water temperature within the specified range. The protective cap prevents unintentional changes of the temperature setting.

The valve requires no maintenance but the installation should be checked regularly.

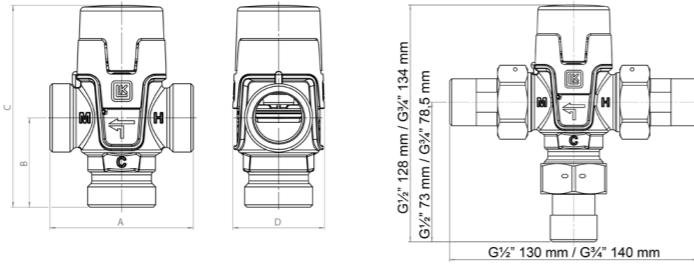


LK 551 - Female thread



Article no.	Dim.	Kvs m ³ /h	A mm	B mm	C mm	D mm	Note	Weight kg
181616	F 1/2"	1.5	70	99	43.5	45	25 - 45 °C	0.5
181617	F 3/4"	1.6	70	99	43.5	45	25 - 45 °C	0.5
181455	F 1/2"	1.5	70	99	43.5	45	35 - 65 °C	0.5
181486	F 3/4"	1.6	70	99	43.5	45	35 - 65 °C	0.5
182203	F 1"	3.5	84	121	62	55	10 - 30 °C	0.9
182204	F 1"	4.2	84	121	62	55	25 - 45 °C	0.9
182205	F 1"	3.5	84	121	62	55	35 - 65 °C	0.9

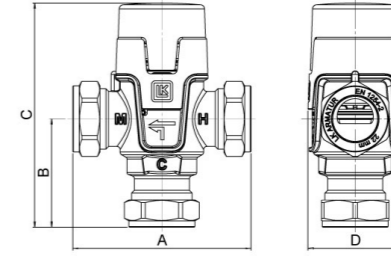
LK 551 - Male thread



Article no.	Dim.	Kvs m ³ /h	A mm	B mm	C mm	D mm	Note	Weight kg
181618	M 1/2"	1.3	70	42.5	99	45	25 - 45 °C	0.4
181619	M 3/4"	1.5	70	43.5	99	45	25 - 45 °C	0.5
181620	M 1"	1.6	70	43.5	99	45	25 - 45 °C	0.5
181452	M 1/2"	1.3	70	42.5	99	45	35 - 65 °C	0.4
181453	M 3/4"	1.5	70	43.5	99	45	35 - 65 °C	0.5
181454	M 1"	1.6	70	43.5	99	45	35 - 65 °C	0.5
182736	M 1"	1.6	70	43,5	99	45	35 - 65 °C *	0,5
182197	M 1"	3.5	84	62	121	55	10 - 30 °C	0.7
182198	M 1"	3.5	84	62	121	55	25 - 45 °C	0.7
182199	M 1"	3.5	84	62	121	55	35 - 65 °C	0.7
182200	M 1 1/4"	3.5	84	62	121	55	10 - 30 °C	0.8
182201	M 1 1/4"	4.2	84	62	121	55	25 - 45 °C	0.8
182202	M 1 1/4"	3.5	84	62	121	55	35 - 65 °C	0.8

* Material, valve body: EN 12165 CW625N

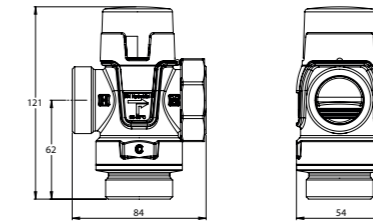
LK 551 - Compression fitting



Article no.	Dim.	Kvs m ³ /h	A mm	B mm	C mm	D mm	Note	Weight kg
181621	15 mm	1.3	86.5	51	106	45	25 - 45 °C	0.4
181622	22 mm	1.6	85	52	106	45	25 - 45 °C	0.4
181523	15 mm	1.3	86.5	51	106	45	35 - 55 °C	0.5
181487	22 mm	1.6	85	52	106	45	35 - 55 °C	0.6
181456	15 mm	1.3	86.5	51	106	45	35 - 65 °C	0.5
182737	15 mm	1.3	86,5	51	106	45	35 - 65 °C *	0,5
181457	22 mm	1.6	85	52	106	45	35 - 65 °C	0.6
181738	22 mm	1,6	85	52	106	45	35 - 65 °C *	0,6
182206	28 mm	3.5	110	80	138	55	10 - 30 °C	0.9
182207	28 mm	4.2	110	80	138	55	25 - 45 °C	0.9
182208	28 mm	3.5	110	80	138	55	35 - 65 °C	0.9

* Material, valve body: EN 12165 CW625N

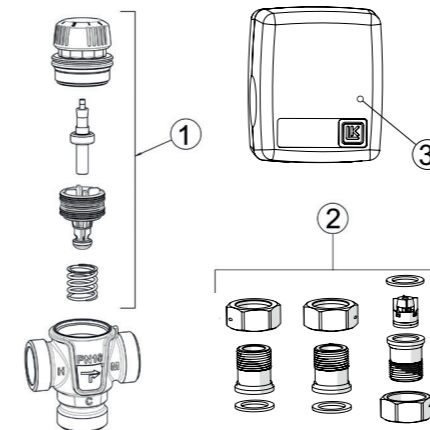
LK 551 - Rotating nut



Article no.	Dim. 2	Kvs m ³ /h	A mm	B mm	C mm	D mm	Note	Weight kg
182431	1 1/2" Rotating nut	3.5	84	62	121	55	25 - 45 °C*	0.9

* Material, valve body: EN 12165 CW617N

SPARE PARTS AND ACCESSORIES



Article no.	Article	Position
095234	Repair kit 551, 35 - 65 °C	1
095236	Repair kit 551, 35 - 55°C	1
095235	Repair kit 551, 25 - 45 °C	1
095348	Repair kit 551, 10 - 30 °C (Kvs 3.2-4.2)	1
095349	Repair kit 551, 25 - 45 °C (Kvs 3.2-4.2)	1
095350	Repair kit 551, 35 - 65 °C (Kvs 3.2-4.2)	1
092052	Connection kit M 3/4" x 1" with rotating nut, gaskets, 1 check valve	2
092053	Connection kit M 3/4" x 1" with rotating nut, gaskets, 2 check valves	2
092054	Connection kit M 1/2" x 3/4" with rotating nut, gaskets, 1 check valve	2
092055	Connection kit M 1/2" x 3/4" with rotating nut, gaskets, 2 check valves	2
092333	Connection kit M 1" x 1 1/4" with rotating nut, gaskets, 1 check valve	2
092334	Connection kit M 1" x 1 1/4" with rotating nut, gaskets, 2 check valves	2
187310	LK Insulation, 551 (Kvs 3.2-4.2) / 552	3
187304	LK Insulation, 551 (Kvs 1.3-1.6)	3

Diverting Valve

LK 551 HydroMix F

- Adjustable diverting temperature



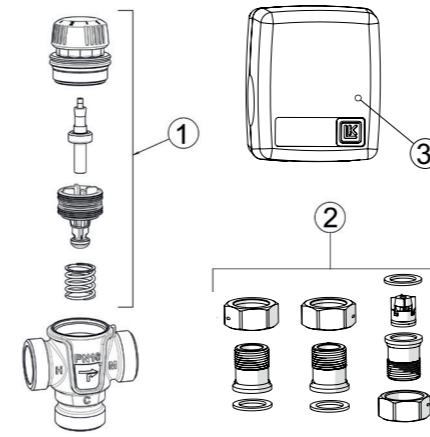
TECHNICAL DATA	
Working temperature	Min. 5 °C/Max. 95 °C
Diverting temperature	Min. 42 °C/Max. 52 °C
Max. working pressure	1.0 MPa (10bar)
Media	Water - Glycol mixture max. 50% Ethanol mixture max. 30%
Thread standard	G - male thread
Material, valve body	Brass EN 12165 CW617N, DZR Brass EN 12165 CW625N
Temperature stability	±3 °C

The LK 551 HydroMix F is a 3-way diverting valve. Once the media reaches chosen temperature it will be redirected to port C. Below chosen temperature it will be redirected to port H.

Arrows on the valve body indicate the direction of the flow.
M = incoming water
C = outgoing hot water
H = outgoing cold water

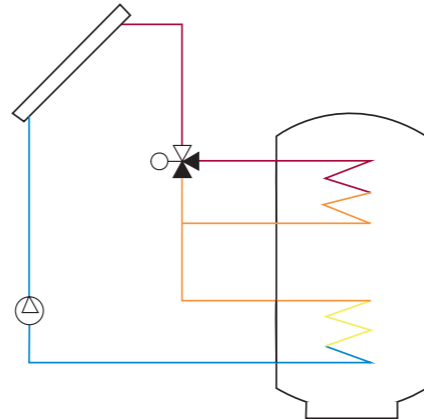
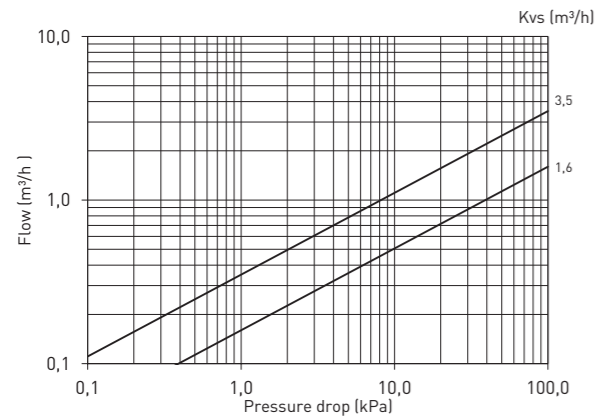
The valve requires no maintenance but the installation should be checked regularly.

SPARE PARTS AND ACCESSORIES

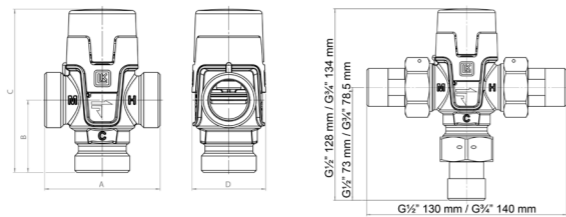


Article no.	Article	Position
095075	Repair kit 551 F, 42 - 52 °C. Kvs 1.6	1
095444	Repair kit 551 F, 42 - 52 °C. Kvs 3.5	1
092052	Connection kit M 3/4" x 1" with rotating nut, gaskets, 1 check valve	2
092053	Connection kit M 3/4" x 1" with rotating nut, gaskets, 2 check valves	2
187304	LK Insulation, 551 (Kvs 1.3-1.6)	3
187310	LK Insulation, 551 (Kvs 3.2-4.2) / 552	3

CAPACITY DIAGRAM



LK 551 F - Male thread



Article no.	Dimension	Kvs m³/h	A mm	B mm	C mm	D mm	Note	Weight kg
182143	M 1"	1.6	70	43.5	99	45	42 - 52 °C	0.5
182428	M 1"	3.5	84	62	121	55	42 - 52 °C	0.7

Valve combination

LK 551 HydroKit Solar

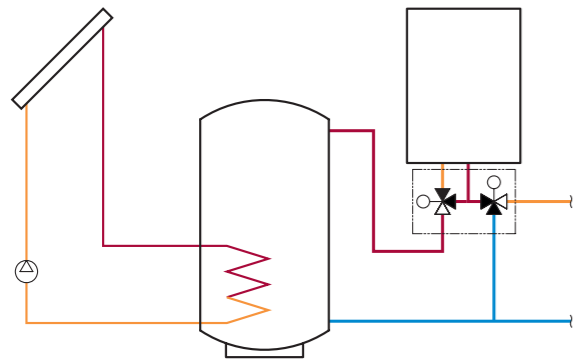
- Simple installation
- Plug and play
- Scald protection



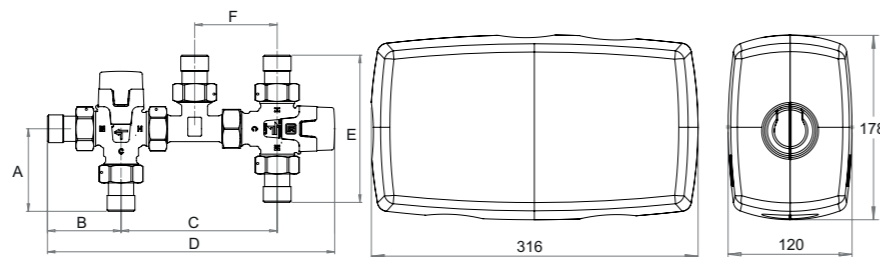
TECHNICAL DATA	
Max. working pressure	1.0 MPa (10 bar)
Working temperature	Min. 5 °C/Max. 95 °C
Operating temperature	Min. 35 °C/Max. 65 °C
Diverting temperature	Min. 42 °C/Max. 52 °C
Thread standard	G - male thread
Media	Water - Glycol mixture max. 50% Ethanol mixture max. 30%
Material, valve body	Brass EN 12165 CW617N
Temperature stability	±3 °C

LK 551 HydroKit Solar is a valve combination, designed to energy optimize water heating from two different heat sources. In order to maintain the set water temperature, the warm water from one heat source is mixed and led directly to the mixed water outlet or if needed diverted to an other heat source for further heating.

LK 551 HydroKit Solar has two thermic valves; one diverting valve and one mixing valve with anti-scald function. The warm water temperature, for the mixing valve, is adjustable within the range of 35 °C to 65 °C and for the diverting valve the temperature is adjustable within the range of 42 °C to 52 °C.



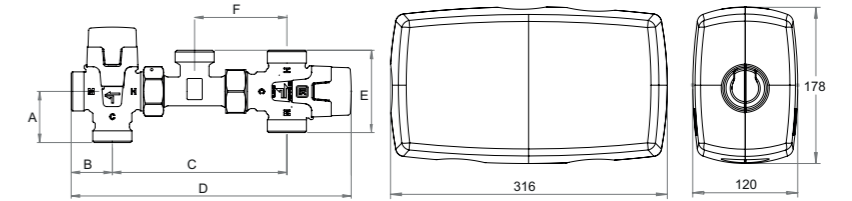
LK 551 HydroKit Solar - with connection kit



Article no.	Dimension	Kvs m ³ /h	A mm	B mm	C mm	D mm	E mm	F mm	Note	Weight kg
181588	M 3/4"	1.6	79	70	149	273	140	79		1.6
182292	M 3/4"	1.6	79	70	149	55	140	79	Insulation included	1.7
182294	M 3/4"	2.5	97	77	149	280	140	79	Insulation included	1.7
182674	M 3/4"	3.5	97	77	175	310	154	100		2.5

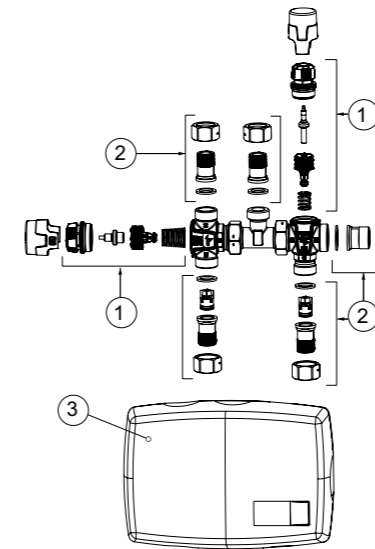
Connection kit included: contains nuts, gaskets, fittings [5 pcs of each] check valves [2 pcs].

LK 551 HydroKit Solar



Article no.	Dimension	Kvs m ³ /h	A mm	B mm	C mm	D mm	E mm	F mm	Note	Weight kg
181690	M 1"	1.6	44	35	149	238	70	79		1.6
182293	M 1"	1.6	44	35	149	238	70	79	Insulation included	1.7
182295	M 1"	2.5	62	42	149	245	70	79	Insulation included	1.7
182427	M 1"	3.5	62	42	175	275	84	100		1.9

SPARE PARTS AND ACCESSORIES



Article no.	Article	Position
095234	Repair kit 551, 35 - 65 °C	1
095075	Repair kit 551 F, 42 - 52 °C	1
095350	Repair kit 551, 35 - 65 °C. Kvs 3.2 - 4.2	1
095444	Repair kit 551 F, 42 - 52 °C. Kvs 3.5	1
095389	Connection kit M 3/4" x 1" with rotating nut, gaskets, 2 check valves	2
095390	LK Insulation (Kvs 1.6 - 2.5)	3
095459	LK Insulation (Kvs 3.5)	3

Hot Water Circulation Unit

LK 551 HydroKit HWC

- Direct hot water
- Plug and play
- Scald protection



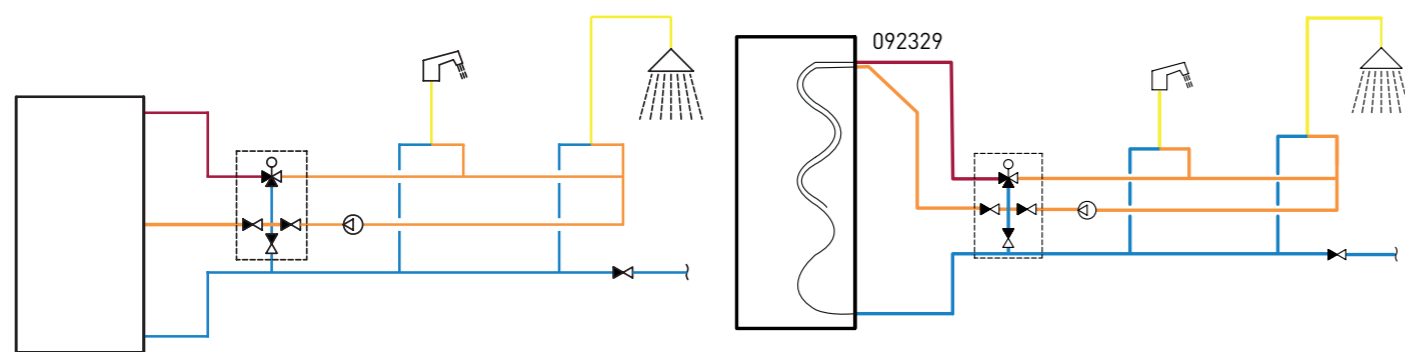
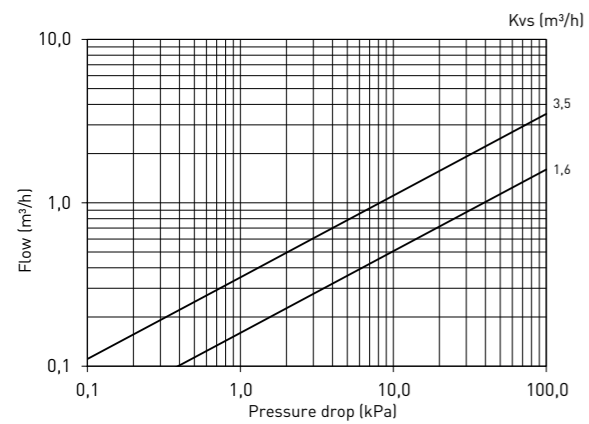
TECHNICAL DATA

Max. working pressure	1.0 MPa (10 bar)
Working temperature	Min. 5 °C/Max. 95 °C
Operating temperature	Min. 35 °C/Max. 65 °C
Thread standard	G - male thread
Media	Water - Glycol mixture max. 50% Ethanol mixture max. 30%
Material, valve body	Brass EN 12165 CW617N, DZR Brass EN 12165 CW625N
Temperature stability	±3°C

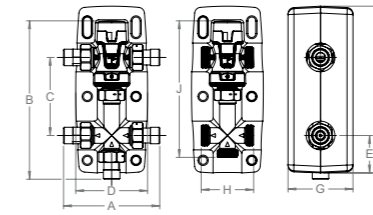
LK 551 HydroKit HWC is a compact unit for hot water circulation. Hot water circulation offers instantly available hot water at a tap, so you don't have to wait on hot water. Hot water circulation is especially useful in buildings with long water pipes.

LK 551 HydroKit HWC consists of a mixing valve, cross, connection kit and 3 check valves, to prevent self circulation. The mixing valve has a thermostat that regulates the supply of both cold and hot water to the desired temperature. The valve has an anti-scald function that closes for incoming hot water in case the cold water supply ends.

CAPACITY DIAGRAM



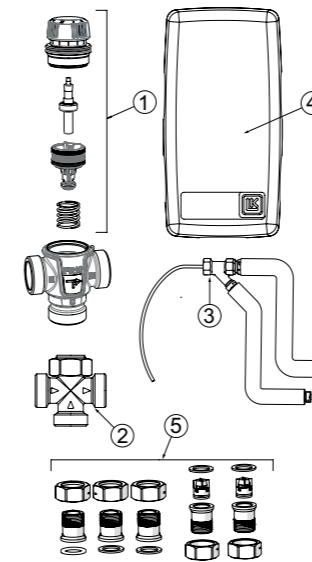
LK 551 HydroKit HWC



Article no.	Dimension	Kvs m³/h	A mm	B mm	C mm	D mm	E mm	F mm	G mm	H mm	J mm	Note	Weight kg
091782	M 3/4"	1.6	140	205	81	115	60	225	104	70	170	35 - 65 °C	1.4
182430	M 3/4"	3.5	154	250	125	120	70	270	110	84	217	35 - 65 °C *	1.8

* Material, valve body: EN 12165 CW617N

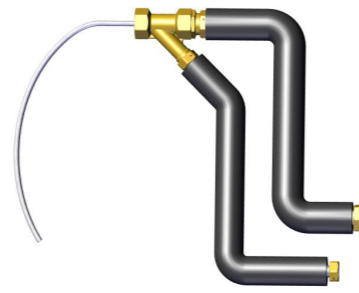
SPARE PARTS AND ACCESSORIES



Article no.	Article	Position
095234	Repair kit 551, 35 - 65 °C (Kvs 1.6)	1
095350	Repair kit 551, 35 - 65 °C (Kvs 3.2 - 4.2)	1
092325	Fitting	2
092329	LK CirculationKit HWC, Kvs 1.6	3
092357	LK CirculationKit HWC, Kvs 3.5	3
187305	LK Insulation HWC (Kvs 1.6)	4
095460	LK Insulation HWC (Kvs 3.5)	4
095388	Connection kit M 3/4" x 1" with rotating nut, gaskets, 2 check valves	5

CirculationKit

LK 551 HWC CirculationKit



TECHNICAL DATA

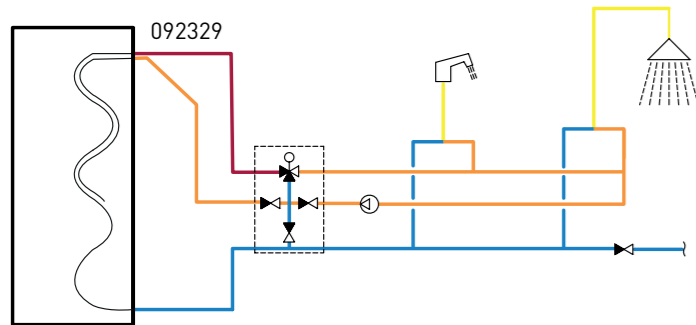
Max. working pressure	0.6 MPa (6 bar)
Working temperature	Min. 5 °C/Max. 95 °C
Stainless steel pipe	EN 1008-3-14404 (AISI316L)
Pex	PE-Xc - PE-HD without EVOH Barrier
T-pipe	Cuphin

LK 551 HWC CirculationKit is an accessory for LK 551 HydroKit HWC. The accessory is installed when there is no connection for recirculated water in the tank.

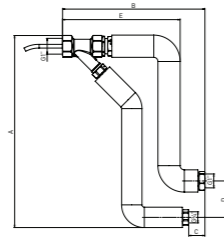
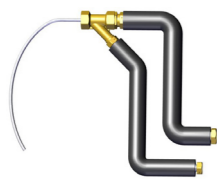
It is installed on the hot water connection.

Using a pipe-in-pipe solution with a 1.5-metre Pex pipe, the return of recirculated water can be adjusted to a correct level to prevent the stratification in the tank from being destroyed.

Supplied with 2x insulated stainless steel pipes, valve and Pex pipe 8x1 length 1.5m.

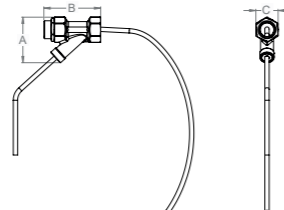


LK CirculationKit HWC - Female thread



Article no.	Kvs m³/h	A mm	B mm	C mm	D mm	E mm	Weight kg
092329	1.6	415	308	35	79	254	2.1
092357	3.5	415	308	35	125	254	2.6

LK 551 HWC CirculationKit - Female thread



Article no.	Dim.	A mm	B mm	C mm	Weight kg
095487	M 1" x F 1" x M 3/4"	85	106	41	0.6

Mixing Valve

LK 552 HydroMix

Scald protection

Symmetrical

Adjustable temperature



TECHNICAL DATA

Max. working pressure	1.0 MPa (10 bar)
Working temperature	Min. 5 °C/Max. 95 °C
Operating temperature	Min. 25 °C/Max. 45 °C Min. 35 °C/Max. 65 °C
Thread standard	Rp - female thread, G - male thread
Media	Water - Glycol mixture max. 50% Ethanol mixture max. 30%
Material, valve body	Brass EN 12165 CW617N
Temperature stability	±3 °C

LK 552 HydroMix is a mixing valve for water heating and heating systems. The mixing valve has a thermostatic element that regulates the supply of cold as well as hot water in order to achieve the desired temperature. The valve has an anti-scald function that shuts off the incoming hot water flow in case of failure of cold water supply.

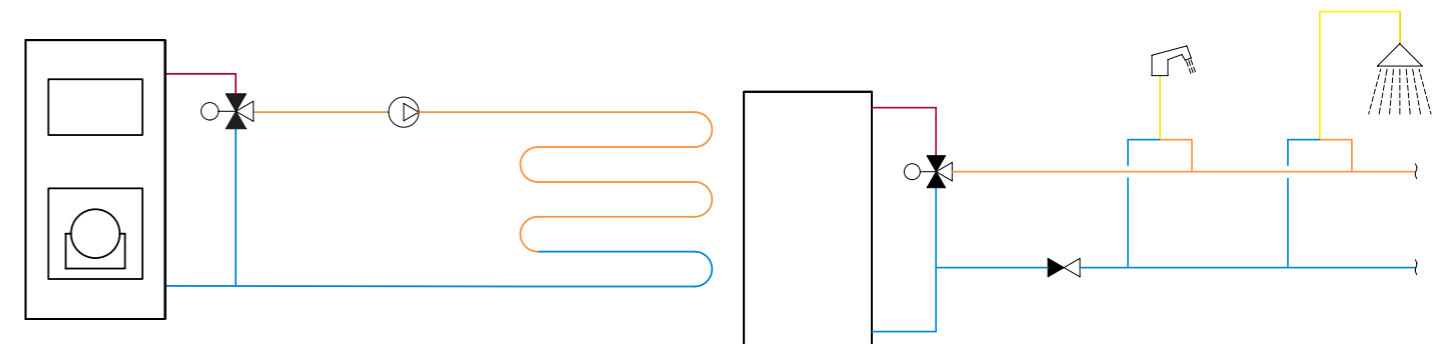
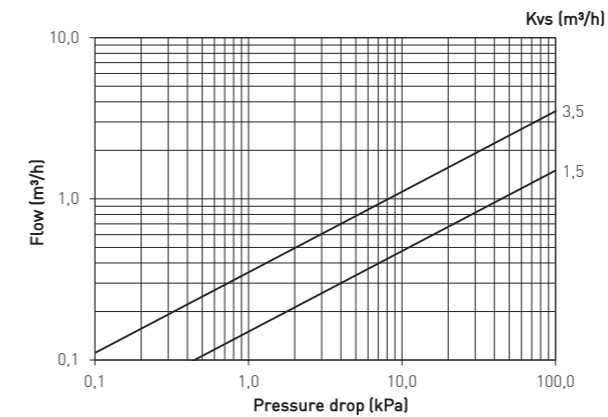
Arrows on the valve body indicate the direction of the flow.
C = incoming cold water
H = incoming hot water
M = outgoing mixed water

When fitted on top of boiler/storage tanks with built-in water heaters the valve should be installed with some space between boiler/storage tank and valve so as not to let the function of the valve be affected by heat radiation.

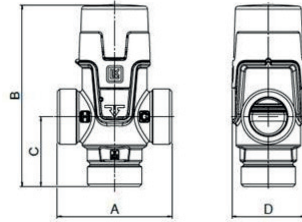
The valve knob is used to set the desired warm water temperature within the specified range. The protective cap prevents unintentional changes of the temperature setting.

The valve requires no maintenance but the installation should be checked regularly.

CAPACITY DIAGRAM

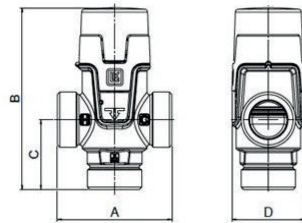


LK 552 - Female thread



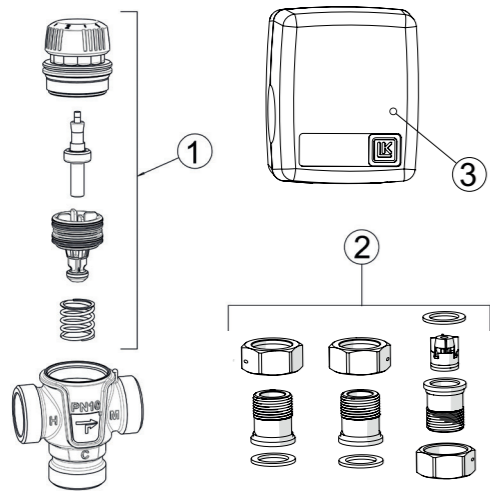
Article no.	Dimension	Kvs m ³ /h	A mm	B mm	C mm	D mm	Note	Weight kg
182234	F ¾"	1.5	70	110	42	45	35 - 65 °C	0.6
182237	F ¾"	1.5	70	110	42	45	25 - 45 °C	0.6
182256	F 1"	3.5	84	122	50	52	35 - 65 °C	0.9
182260	F 1"	3.5	84	122	50	52	25 - 45 °C	0.9

LK 552 - Male thread



Article no.	Dimension	Kvs m ³ /h	A mm	B mm	C mm	D mm	Note	Weight kg
182235	M ¾"	1.5	70	110	42	45	35 - 65 °C	0.5
182236	M 1"	1.5	70	110	42	45	35 - 65 °C	0.6
182238	M ¾"	1.5	70	110	42	45	25 - 45 °C	0.5
182239	M 1"	1.5	70	110	42	45	25 - 45 °C	0.6
182257	M 1"	3.5	84	122	50	52	35 - 65 °C	0.7
182258	M 1¼"	3.5	84	122	50	52	35 - 65 °C	0.8
182261	M 1"	3.5	84	122	50	52	25 - 45 °C	0.7
182262	M 1¼"	3.5	84	122	50	52	25 - 45 °C	0.8

SPARE PARTS AND ACCESSORIES



Article no.	Article	Position
095360	Repair kit 552, 25 - 45 °C	1
095361	Repair kit 552, 35 - 65 °C	1
095362	Repair kit 552, 25 - 45 °C (Kvs 3.5)	1
095363	Repair kit 552, 35 - 65 °C (Kvs 3.5)	1
092052	Connection kit M ¾" x 1" with rotating nut, gaskets, 1 check valve	2
092053	Connection kit M ¾" x 1" with rotating nut, gaskets, 2 check valves	2
092333	Connection kit M 1" x 1¼" with rotating nut, gaskets, 1 check valve	2
092334	Connection kit M 1" x 1¼" with rotating nut, gaskets, 2 check valves	2
187310	LK Insulation, 551 (Kvs 3.2-4.2) / 552	3

LK ARMATUR AB

Garnisonsgatan 49
SE-254 66 Helsingborg
Sweden

Phone: +46 (0)42-16 92 00
info@lkarmatur.se
order@lkarmatur.se

FOR THE SIMPLER, SMARTER EVERYDAY

Simpler. Smarter. More sustainable. At LK, we believe there's a better way to do everything. It's a belief all of us at LK apply to every product and solution we create – from water, heating and hydronic solutions to pipe extrusion.

Our **LK Armatur** business area is a leader in Europe, producing millions of valves per year for the global HVAC market. Beyond individual products, we understand how all parts interact in your complete application. From standard to sophisticated customizations of valves, controllers, components and prefabricated units, our full-spectrum expertise makes it easy to get the results you need today, while anticipating your needs tomorrow.

