

Pump Groups

LK HydronicGroup C/C 90, LK HydronicGroup 90C, LK HydronicGroup C/C 125





More than one heating system in your property?

Our pump group is available as various installations, depending on your needs.

If you've more than one heating system in your property, you can easily connect up to four different pump groups. Our pump groups can easily be placed individually and in a group of up to four units. With our electronic controller, SmartComfort, installed on the pump group, the system will be provided with the exact amount of heat required in the building at any given time. You can easily read the temperature on the integrated thermometers.

- All in one
- Easy to install
- Easy to combine with electronic regulation

Choose according to your needs:

LK 860 - MANIFOLD

LK 861 - DIRECT SUPPLY

LK 862 - MIXED SUPPLY

Three-way mixing valve is included.

LK 863 - MIXED SUPPLY

Thermic mixing valve, LK 551 HydroMix, is included.

LK 864 - LOADING UNIT

Thermic loading valve LK 823 ThermoVar® is included to ensure both an optimal temperature stratification in the accumulator tank and a high return temperature to the boiler, which increases the system's efficiency.

LK 865 - COMPLETE UNIT FOR HOT WATER CIRCULATION

Thermic mixing valve LK 551 HydroMix HWC is included.

LK 866 - HIGH RETURN TEMPERATURE

A four way mixing valve LK 841 ThermoMix® is included. Designed for heating systems where a high return temperature is required to prevent corrosion and thus extend the life length of the heat source.

LK 867 - FOR TWO HEATING UNITS

A bivalent mixing valve LK 830 ThermoMix® is included. Designed for heating systems, where energy is taken from two heating units connected in series or parallel or for storage tank systems where energy is extracted from two levels.



Pump groups

LK HydronicGroup 90C

- Adapted for cold
- Easy to install
- Easy to combine with electronic regulation



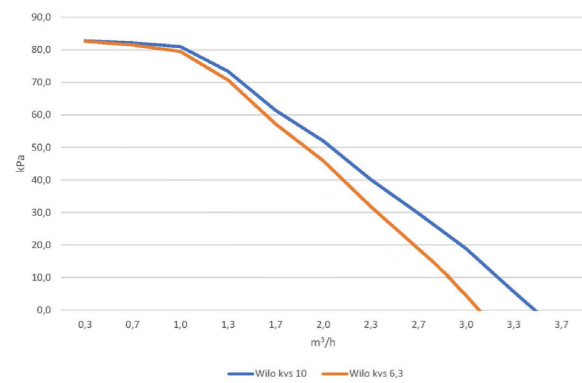
TECHNICAL DATA	
Voltage	230 VAC 50/60 Hz
Power consumption	10-75 W, depending on pump speed
Leakage	< 0,2% of Kvs at 100 kPa
Max. working pressure	1.0 MPa (10 bar)
Working temperature	Min. -15 °C Supply temperature: Min. 5 °C
Ambient temperature	Min. 5 °C/Max. 58 °C
Thread standard	Rp - female thread
Media	Water - Glycol mixture max. 50%
Circulating pump	Wilo Para 15-130/8-75/SC-9

Material, valve body	Brass EN 12165 CW617N
Cooling efficiency	7 kW (ΔT 10 °C 10 l/min.)

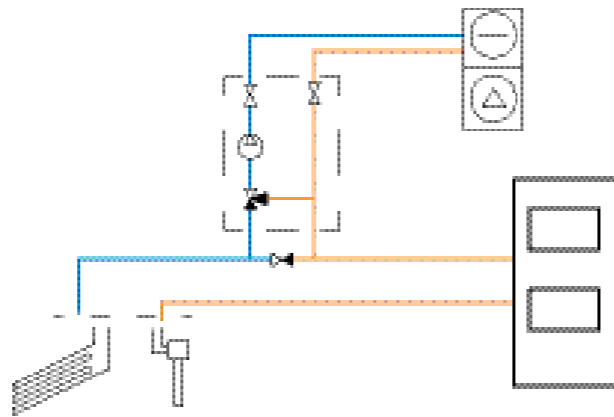
LK HydronicGroup is a complete pump group that is suitable for cooling systems where mixed supply is desirable.

LK HydronicGroup comprises a high efficient circulation pump, insulation, wall mounting bracket and two ball valves with thermometer. In the model where mixed supply is desired, a three-way mixing valve is included.

CAPACITY DIAGRAM



PUMP GROUP FOR PASSIVE COOLING



Pump groups

LK HydronicGroup C/C 90

- All in one
- Easy to install
- Easy to combine with electronic regulation



TECHNICAL DATA	
Voltage	230 VAC 50/60 Hz
Power consumption	10-75 W, depending on pump speed
Leakage	< 0,2% of Kvs at 100 kPa
Max. working pressure	1.0 MPa (10 bar)
Working temperature	Min. 5 °C/Max. 100 °C
Ambient temperature	Min. 5 °C/Max. 58 °C
Thread standard	Rp - female thread, G - male thread
Media	Wilo: Water - Glycol mixture max. 50%
Media 2	Taco: Water - Glycol mixture max. 30%

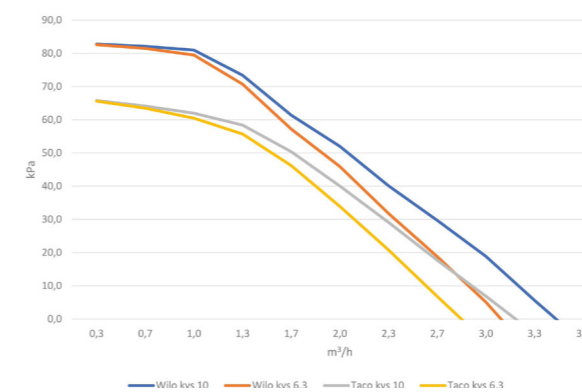
Circulating pump	Wilo Para 15-130/8-75/SC-9, Taco ES2C 15-70-130
Material, valve body	Brass EN 12165 CW617N
Material, insulation	Expanded Polypropylene EPP

LK HydronicGroup is a complete pump group that is suitable for heating systems where direct supply or mixed supply is desirable.

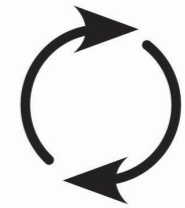
LK HydronicGroup comprises a high efficient circulation pump, insulation, wall mounting bracket and two ball valves with thermometer. In the model where mixed supply is desired, a three-way mixing valve is included.

A manifold for two, optionally three, pump groups is available as an accessory, see accessories and spare parts. Wall mounting bracket is not included with manifold, it must be ordered separately, see accessories and spare parts.

CAPACITY DIAGRAM



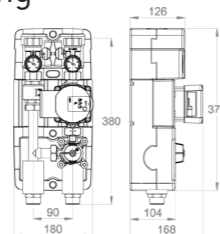
LK 861 RIGHT



LK 861 LEFT

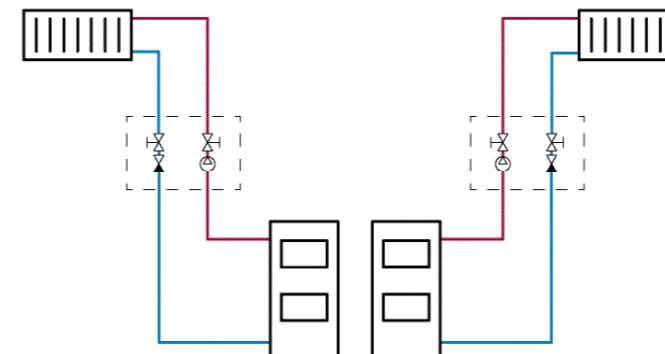


LK 90C - Pump group for passive cooling

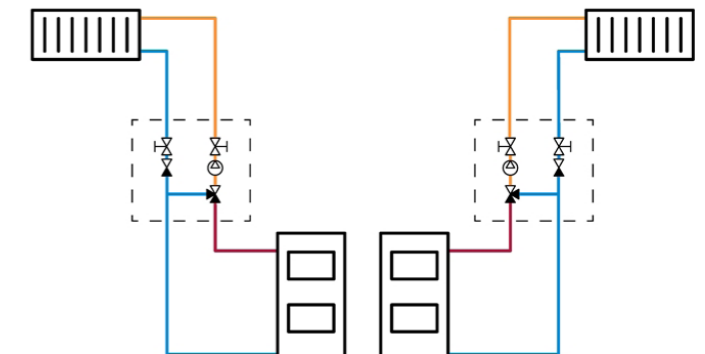


Article no.	Dim.	Kvs m³/h	Note	Weight kg
299387	F 1" x M 1"	6.3 / 10.0	Wilo PARA 15-130/8-75/SC-9	4.0

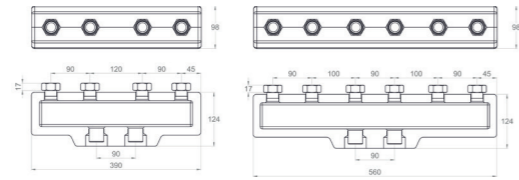
PUMP GROUP WITH DIRECT SUPPLY



PUMP GROUP WITH MIXING VALVE

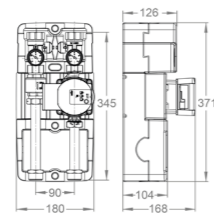


LK 860 - Manifold



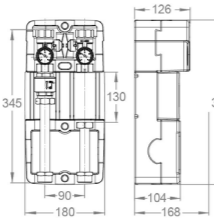
Article no.	Type	Dim.	Note	Weight kg
182125	Manifold 2 pc groups	F 1" x M 1"	0.3 MPa (3 Bar)	3.3
182126	Manifold 3 pc groups	M 1" x F 1"	0.3 MPa (3 Bar)	4.5

LK 861 - Pump group with direct supply



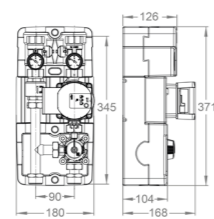
Article no.	Type	Dim.	Weight kg
299172	Wilo PARA 15-130/8-75/SC-9	F 1" x M 1"	3.7
299174	Taco ES2C 15-70-130	F 1" x M 1"	3.7

LK 861 - Pump Group with direct supply. Without pump



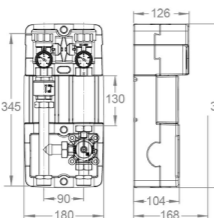
Article no.	Dim.	Weight kg
299842	F 1" x M 1"	1.7

LK 862 R - Pump group with mixed supply - Right version



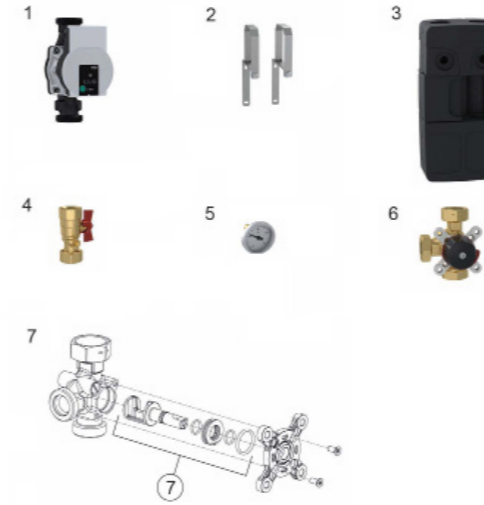
Article no.	Type	Dim.	Kvs m ³ /h	Weight kg
299171	Wilo PARA 15-130/8-75/SC-9	F 1" x M 1"	6.3 / 10.0	4.0
299173	Taco ES2C 15-70-130	F 1" x M 1"	6.3 / 10.0	4.0

LK 862 R - Pump group with mixed supply. Without pump



Article no.	Dim.	Kvs m ³ /h	Weight kg
299841	F 1" x M 1"	6.3 / 10.0	2.0

SPARE PARTS AND ACCESSORIES



Article no.	Article	Position
187227	Wilo PARA 15-130/8-75/SC-9	1
187228	Taco ES2C 15-70-130	1
187229	Bracket	2
187230	EPP Insulation	3
187231	Ballvalve, LK 316 F1" / F1"	4
095018	Thermometer T40, 0 - 80 °C	5
182765	LK 850 ThermoMix HG Kvs 6,3/10	6
187190	Repair kit LK 840 DN 15-20	7

Pump groups

LK HydronicGroup C/C 125

- All in one
- Easy to install
- Easy to combine with electronic regulation



TECHNICAL DATA

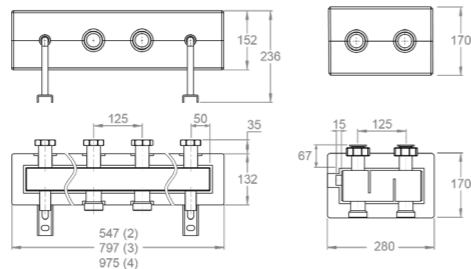
Voltage	230 VAC 50/60 Hz
Power consumption	10-75 W, depending on pump speed
Max. working pressure	1.0 MPa (10 bar)
Working temperature	Min. 5 °C/Max. 95 °C
Ambient temperature	Min. 5 °C/Max. 58 °C
Thread standard	Rp - female thread, G - male thread
Media	Water - Glycol mixture max. 50%
Circulating pump	Wilo Para 15-130/8-75/SC-9, Wilo Para 25-180/6-43/SC-12, Wilo Para 25-180/8-75/SC-12, Wilo PARA zKu 15-130/8 SC
Material, valve body	Brass EN 12165 CW617N
Material, insulation	Expanded Polypropylene EPP

LK HydronicGroup is a complete pump group that is suitable for heating where direct supply or mixed supply is desirable. Consists of a highly efficient circulation pump, insulation, wall mounting bracket and two ball valves with thermometer, on the return side there is an integrated check valve.

LK 860 manifold available with or without hydraulic separator for one, two, three optionally four pump groups. Wall mounting bracket are included with the manifold.

LK 861 pump group where direct supply is desired.

LK 860 - Manifold



Article no.	Type	Dim.	Note	Weight kg
182419	Manifold, 1 pc groups with hydraulic separator	M 1½"	0.4 MPa (4 bar)	5.0
182348	Manifold, 2 pc groups, without hydraulic separator	M 1½"	0.4 MPa (4 bar)	6.0
182350	Manifold, 2 pc groups with hydraulic separator	M 1½"	0.4 MPa (4 bar)	7.0
182349	Manifold, 3 pc groups, without hydraulic separator	M 1½"	0.4 MPa (4 bar)	8.0
182351	Manifold, 3 pc groups, with hydraulic separator	M 1½"	0.4 MPa (4 bar)	9.0
182417	Manifold, 4 pc groups, without hydraulic separator	M 1½"	0.4 MPa (4 bar)	9.0
182418	Manifold, 4 pc groups, with hydraulic separator	M 1½"	0.4 MPa (4 bar)	10.0

LK 862 pump group where mixed supply is desired, a three-way mixing valve is included.

LK 863 pump group where mixed supply is desired, a thermic mixing valve is included. The LK 551 HydroMix has a thermostatic element that regulates the supply and return to achieve the desired supply temperature.

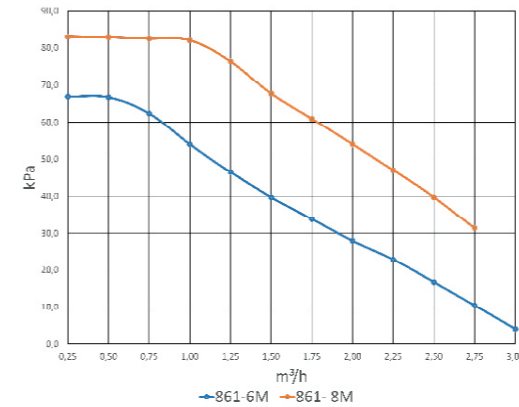
LK 864 pump group with a thermic loading valve LK 823 ThermoVar®. The pump group is intended to ensure both an optimal temperature stratification in the storage tank and high return temperature to the boiler, thus increasing the efficiency of the system.

LK 865 is a complete unit for hot water circulation. Consists of a mixing valve, cross, circulation pump, insulation, connection kit and three check valves. The LK 551 HydroMix mixing valve has a thermostatic element that regulates the supply of both cold and hot water to the desired temperature. The valve has an anti-scald function that closes for incoming hot water if the cold water supply ceases.

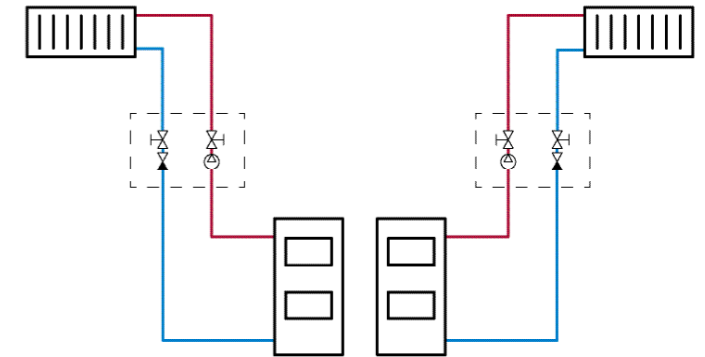
LK 866 is a pump group with a four way mixing valve, LK 841 ThermoMix®. The pumpgroup is designed for heating systems where a high return temperature is required to prevent corrosion and thus extend the life length of the heat source.

LK 867 is a pump group with a four way mixing valve, LK 830 ThermoMix® B. The pump group has a 4-way bivalent mixing valve that is designed for heating systems, where energy is taken from two heating units connected in series or parallel or for storage tank systems where energy is extracted from two levels. The pump group should be equipped with an automatic control unit to ensure that the most favourable heat source is prioritised at all times.

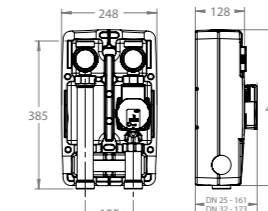
LK 861 - PUMP CHARACTERISTICS



LK 861 - PUMP GROUP WITH DIRECT SUPPLY

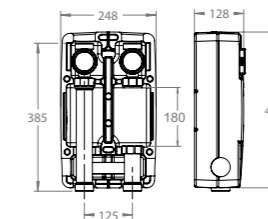


LK 861 - Pump group with direct supply



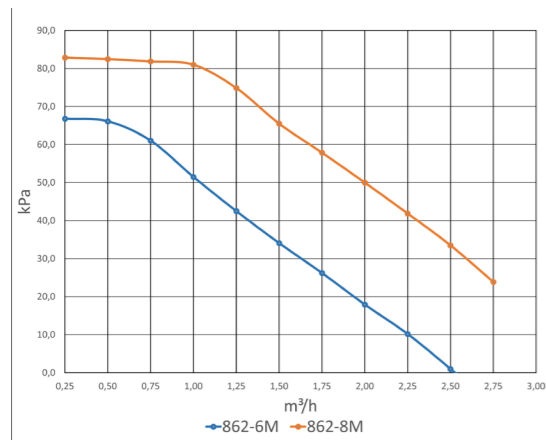
Article no.	Dim.	DN	Weight kg
299458	M 1½" / F 1" x M 1½"	DN 25	5.0
299459	M 1½" / F 1" x M 1½"	DN 32	5.2

LK 861 - Pump group with direct supply. Without pump

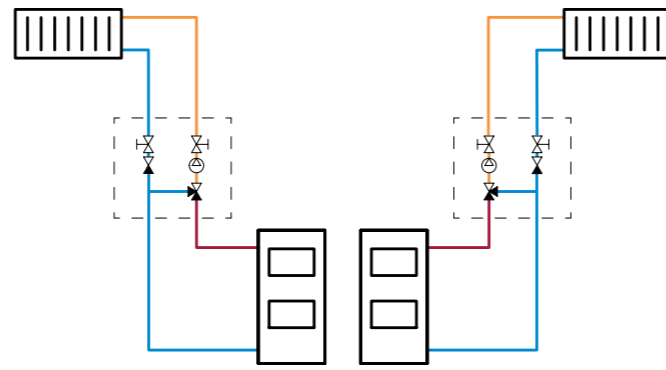


Article no.	Dim.	Weight kg
299460	M 1½" / F 1" x M 1½"	3.1

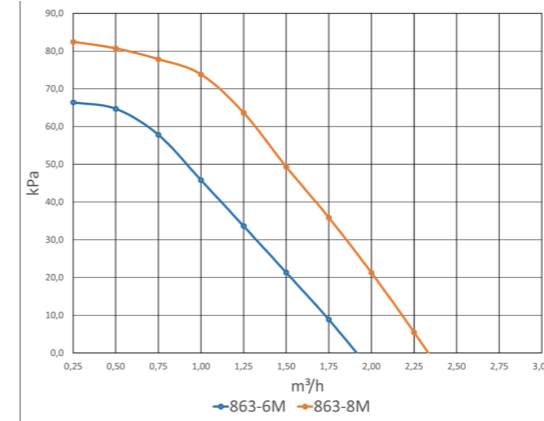
LK 862 - PUMP CHARACTERISTICS



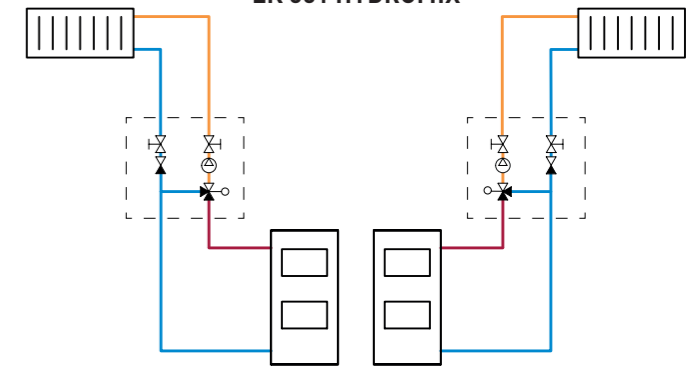
LK 862 - PUMP GROUP WITH MIXING VALVE



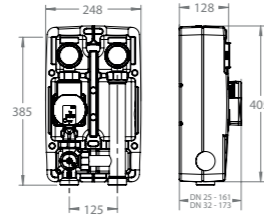
LK 863 - PUMP CHARACTERISTICS



LK 863 - PUMP GROUP WITH MIXING VALVE LK 551 HYDROMIX

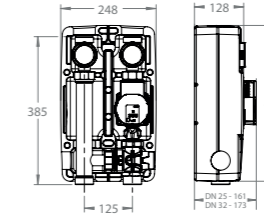


LK 862 R - Pump group with mixed supply - Right version



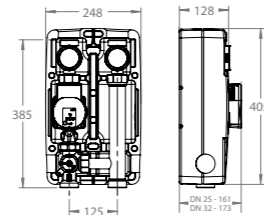
Article no.	Dim.	DN	Kvs m³/h	Weight kg
299462	M 1½" / F 1" x M 1½"	DN 25	6.3	5.3
299464	M 1½" / F 1" x M 1½"	DN 32	10.0	5.5

LK 863 - Pump group with thermic mixing valve



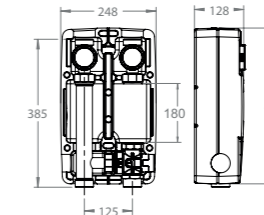
Article no.	Dim.	DN	Note	Weight kg
299467	M 1½" / F 1" x M 1½"	DN 25	Temperature: 25 - 45 °C	5.8
299468	M 1½" / F 1" x M 1½"	DN 32	Temperature: 25 - 45 °C	6.0

LK 862 L - Pump group with mixed supply - Left version



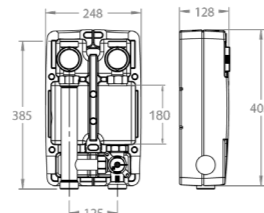
Article no.	Dim.	DN	Kvs m³/h	Weight kg
299461	M 1½" / F 1" x M 1½"	DN 25	6.3	5.3
299463	M 1½" / F 1" x M 1½"	DN 32	10.0	5.5

LK 863 - Pump group with thermic mixing valve. Without pump



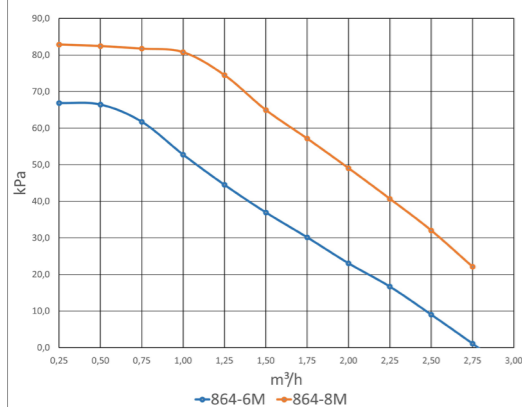
Article no.	Dim.	Note	Weight kg
299469	M 1½" / F 1" x M 1½"	Temperature: 25 - 45 °C	4.0

LK 862 - Pump group with mixed supply. Whitout pump

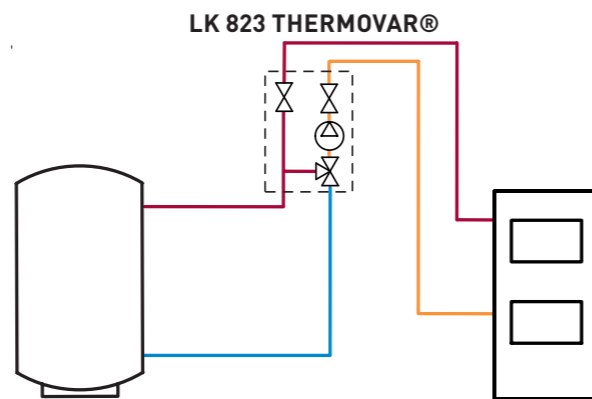


Article no.	Dim.	Kvs m³/h	Weight kg
299465	M 1½" / F 1" x M 1½"	6.3	3.1
299466	M 1½" / F 1" x M 1½"	10.0	3.1

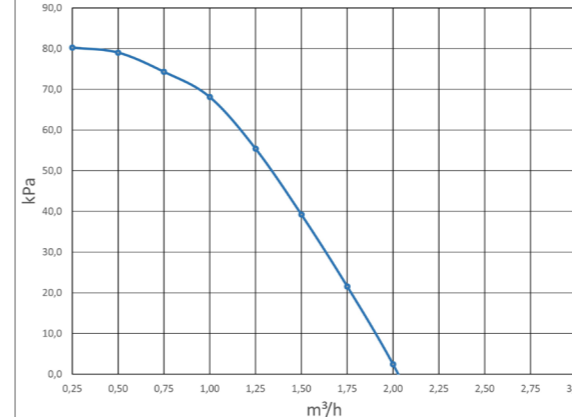
LK 864 - PUMP CHARACTERISTICS



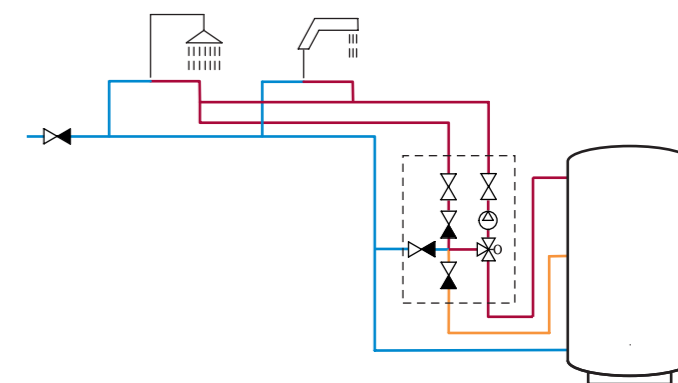
LK 864 - PUMP GROUP WITH THERMIC LOADING VALVE



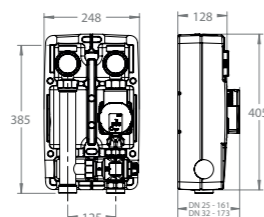
LK 865 - PUMP CHARACTERISTICS



LK 865 - COMPLETE UNIT FOR HOT WATER CIRCULATION

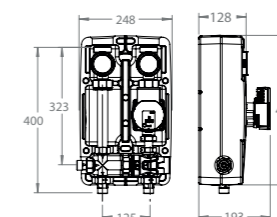


LK 864 - Pump group with thermic loading valve, LK 823 ThermoVar®



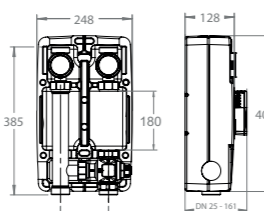
Article no.	Dim.	DN	Kvs m³/h	Note	Weight kg
299470	M 1½" / F 1" x M 1½"	DN 25	9.0	Opening temperature: 55 - 70 °C	5.7
299471	M 1½" / F 1" x M 1½"	DN 32	9.0	Opening temperature: 55 - 70 °C	5.9
299787	M 1½" / F 1" x M 1½"	DN 25	9.0	Opening temperature: 45 - 60 °C	5.7
299788	M 1½" / F 1" x M 1½"	DN 32	9.0	Opening temperature: 45 - 60 °C	5.9

LK 865 - Complete unit for hot water circulation



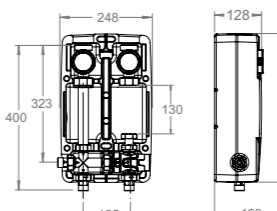
Article no.	Dim.	Note	Weight kg
299472	F 1" x M 1"	Opening temperature: 35 - 65 °C	4.9

LK 864 - Pump group with thermic loading valve, LK 823 ThermoVar®. Without pump

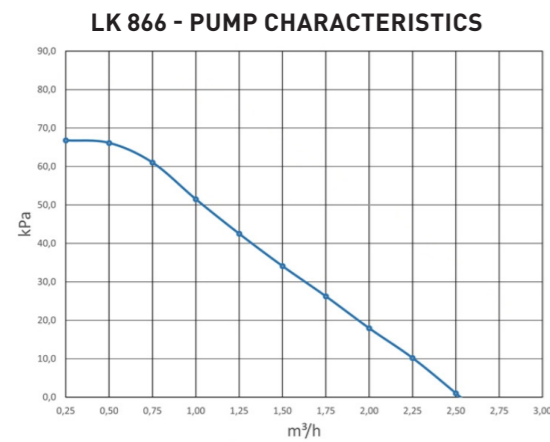


Article no.	Dim.	DN	Kvs m³/h	Note	Weight kg
299962	M 1½" / F 1" x M 1½"	DN 25	9.0	Opening temperature: 55 - 70 °C	3.5

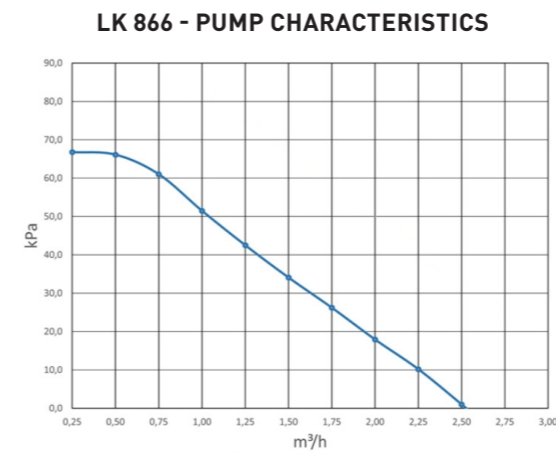
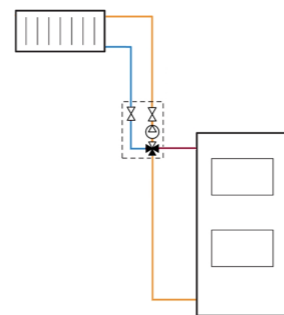
LK 865 - Complete unit for hot water circulation. Without pump



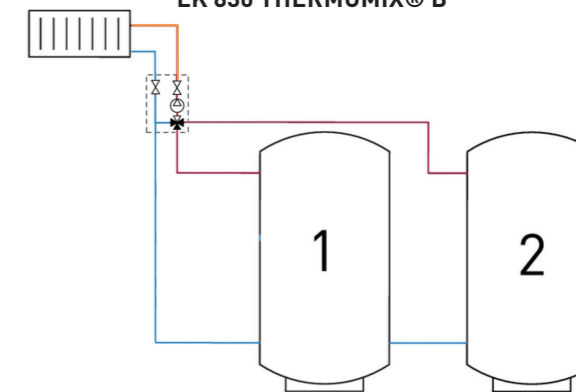
Article no.	Dim.	Note	Weight kg
299963	F 1" x M 1"	Opening temperature: 35 - 65 °C	2.7



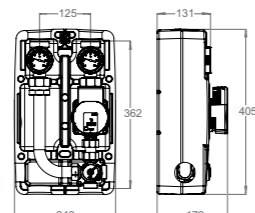
LK 866 - PUMP GROUP WITH A FOUR WAY MIXING VALVE, LK 841 THERMOMIX®



LK 867 - PUMP GROUP WITH A FOUR WAY MIXING VALVE, LK 830 THERMOMIX® B

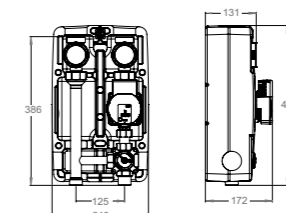


LK 866 - Pump group with a four way mixing valve, LK 841 ThermoMix®



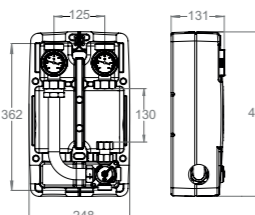
Article no.	Dim.	DN	Kvs m³/h	Weight kg
299747	M 1½" / F 1" x M 1"	DN 25	6.3	5.3

LK 867 - Pump group with a four way mixing valve, LK 830 ThermoMix® B



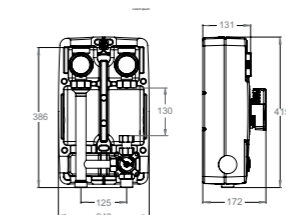
Article no.	Dim.	DN	Kvs m³/h	Weight kg
299765	M 1½" / F 1" x M 1"	DN 25	6.3	5.3

LK 866 - Pump group with a four way mixing valve, LK 841 ThermoMix®. Without pump



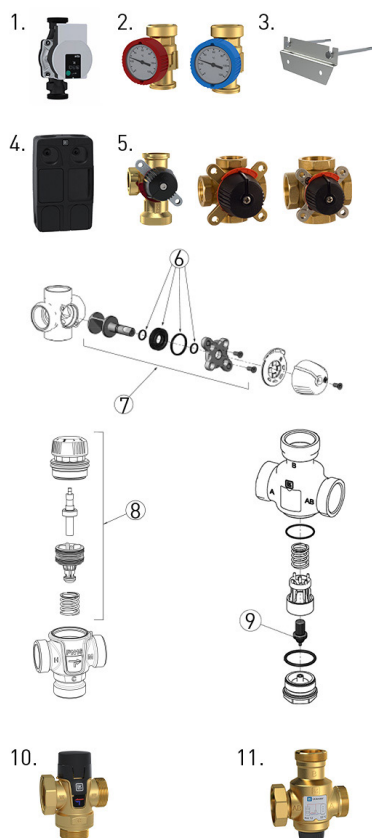
Article no.	Dim.	DN	Kvs m³/h	Weight kg
299964	M 1½" / F 1" x M 1"	DN 25	6.3	3.1

LK 867 - Pump group with a four way mixing valve, LK 830 ThermoMix® B. Without pump



Article no.	Dim.	DN	Kvs m³/h	Weight kg
299965	M 1½" / F 1" x M 1"	DN 25	6.3	3.1

SPARE PARTS AND ACCESSORIES



Article no.	Article	Position
187203	Wilo PARA 25-180/8-75/SC	1
187322	Wilo PARA 25-180/6-43/SC	1
187227	Wilo PARA 15-130/8-75/SC-9	1
187323	Ballvalve, blue	2
187324	Ballvalve, red	2
187325	Bracket	3
187326	EPP Insulation	4
182766	LK 840 ThermoMix HG Kvs 6,3	5
182767	LK 840 ThermoMix HG Kvs 10	5
181949	LK 840 Mixing Valve (866), Kvs 6.3	5
180588	LK 830 Mixing Valve (867), (Kvs 6.3)	5
187188	Sealing kit LK 840/841 DN 25	6
187191	Repair kit LK 840 DN 25	7
187195	Repair kit 841 2.0, DN 25	7
187062	Repair kit 830, DN 15-20, Kvs 6.3	7
095349	Repair kit 551, 25 - 45 °C (Kvs 3.2-4.2)	8
095350	Repair kit 551, 35 - 65 °C (Kvs 3.2-4.2)	8
187330	Repair Kit 823R	9
182431	LK 551 (863), 25 - 45 °C	10
182389	LK 823R (864), 55 - 70 °C	11
182447	LK 823R (864), 45 - 60 °C	11

LK ARMATUR AB

Garnisonsgatan 49
SE-254 66 Helsingborg
Sweden

Phone: +46 (0)42-16 92 00
info@lkarmatur.se
order@lkarmatur.se

FOR THE SIMPLER, SMARTER EVERYDAY

Simpler. Smarter. More sustainable. At LK, we believe there's a better way to do everything. It's a belief all of us at LK apply to every product and solution we create – from water, heating and hydronic solutions.

Our **LK Armatur** business area is a leader in Europe, producing millions of valves per year for the global HVAC market. Beyond individual products, we understand how all parts interact in your complete application. From standard to sophisticated customizations of valves, controllers, components and prefabricated units, our full-spectrum expertise makes it easy to get the results you need today, while anticipating your needs tomorrow.

