

LK 525 MultiZone 3W

- A new valve in the MultiZone range
- Kvs 13m³/h, lower internal pressure drop

LK 525 MultiZone 3W



LK 525 MultiZone 3W is a motorized 3-way zone valve for On/Off control. The zone valve is designed with a turning slide which allows it to withstand a larger pressure difference and reduces the risk of it stalling after a long intermission. This makes it especially suited for heat pump applications where there can be long intermissions between the changes to the direction of the flow during the warm season. On the upper surface of the actuator is an indicator that shows which port is open.

The zone valve must not be installed with the motor underneath the valve unit.

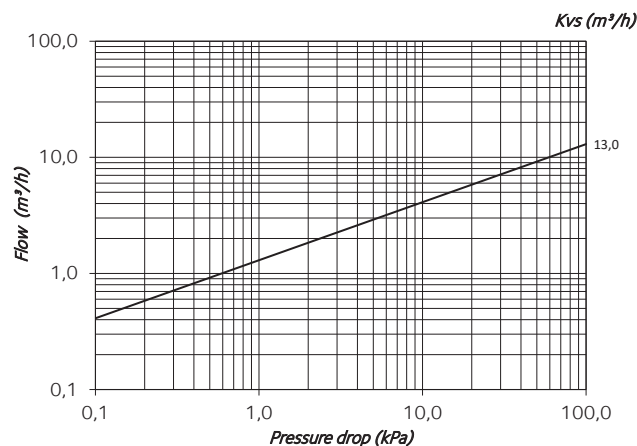
In case of a power failure, the valve cone stays in its current position. When the power is switched off, the valve can be manually set to the centre position, which distributes the flow between the heating and tap water circuits. Remove the motor and turn the spindle about 30° or turn until hot water flows through both valve ports. When the power is restored, turn the valve back to its original position and reinstall the motor.

Please note that the motor can be installed in only one position.

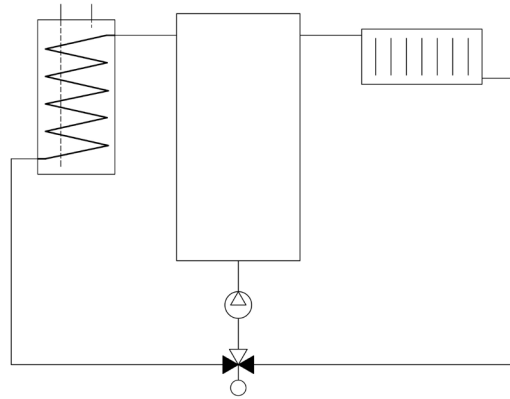
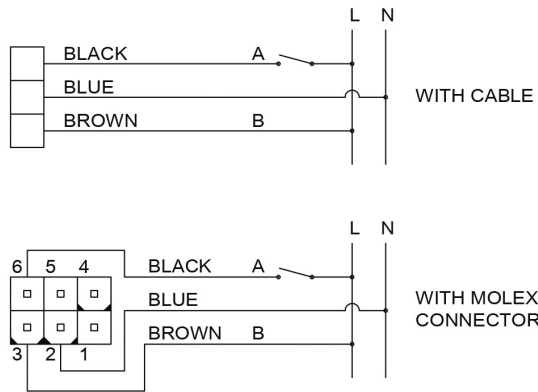
TECHNICAL DATA

Working temperature	Min. +5°C/Max. +70°C (+80°C briefly)
Ambient temp.	Min. +1°C/Max. +60°C
Max. working pressure	1.0 MPa (10 bar)
Max. differential pressure	100 kPa (1 bar)
Leakage	< 0.1% of Kvs at 100 kPa
Angle of rotation	60°/360°
Media	Water - Glycol mixture max. 50% Water - Ethanol mixture max. 30%
Actuator	7 VA, 230 VAC, 50 Hz 7 VA, 24 VAC, 50 Hz
Operation time	8 seconds (60°)
Electrical connection	Fixed wire alternatively Molex®-compatible connector
Signal connector	Single pole SPST
Protection class	IP 40
Material, valve body	Brass EN 12165 CW617N
Material, external cover	Brass EN 12164 CW614N
Material, slide/spindle	PPS Composite
Cable specification	Dimension 3 x 0.75 mm ²
Wire colours	Blue, brown, black
External insulation	PVC
Connection	Molex® or Molex®-compatible connector, 6-circuit
Type approval certificates	CE (actuator only)

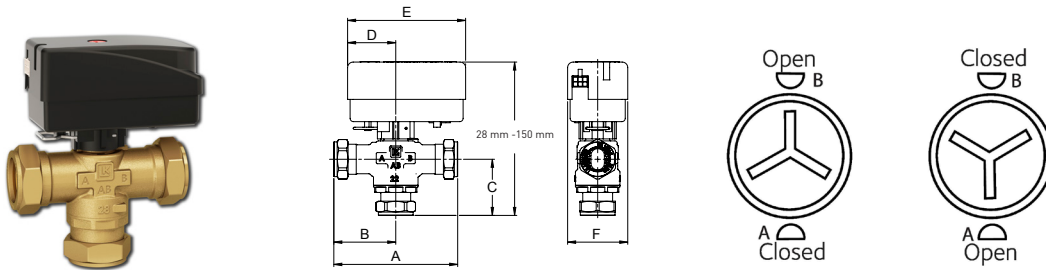
Capacity diagram



Wiring diagram



LK 525 3W - Compression fitting



Article no.	Article	Kvs m ³ /h	A mm	B mm	C mm	D mm	E mm	F mm	Weight kg
066377	Valve unit 28 mm	13	114	57	59	43	107	54	0.8
066060	EMV 110-M SPST Actuator 230 VAC with Molex®								0.3
066061	EMV 110-K SPST Actuator 230 VAC with cable 1000 mm								0.3
066062	EMV 110-K SPST Actuator 230 VAC with cable 3000 mm								0.4
066063	EMV 110-M SPST Actuator 24 VAC with Molex®								0.3
066083	Cable-M 3x0.75 L=1000 mm with Molex®								0.1